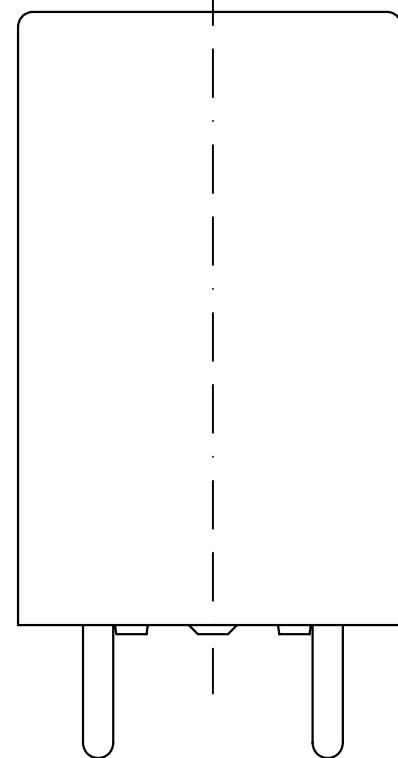
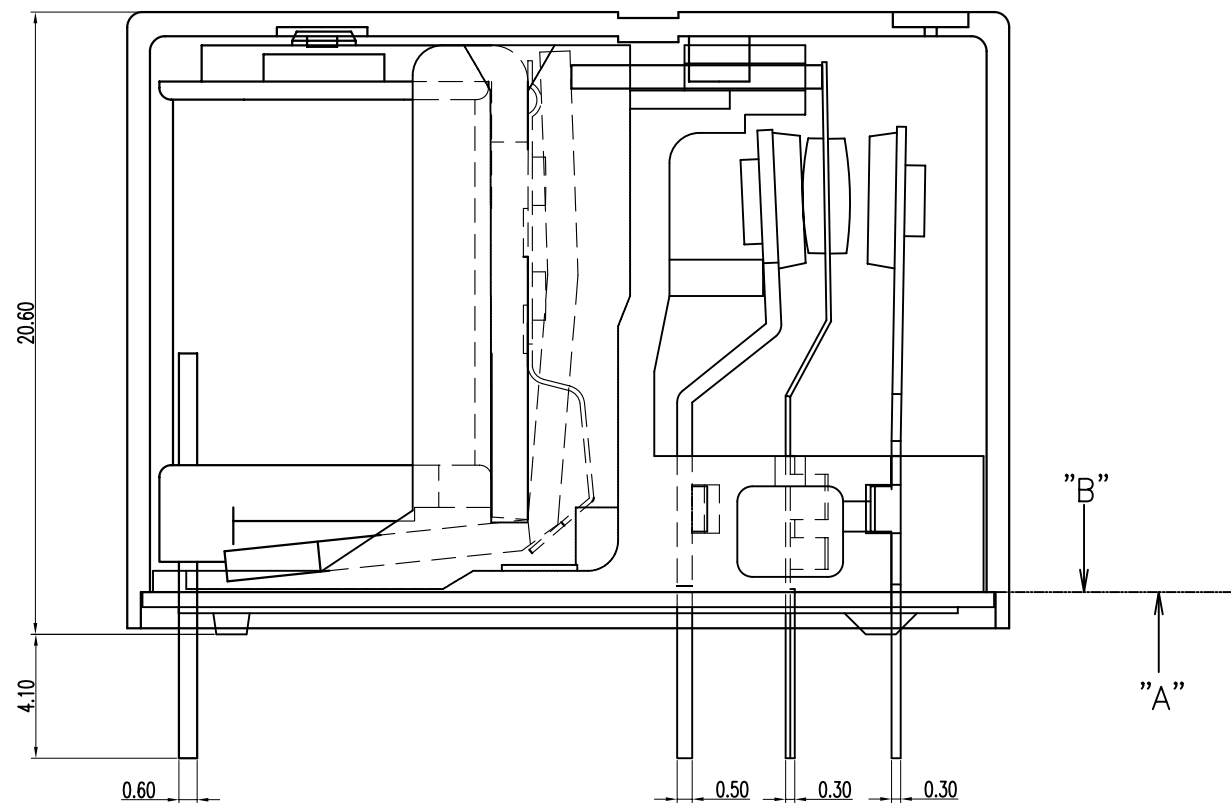
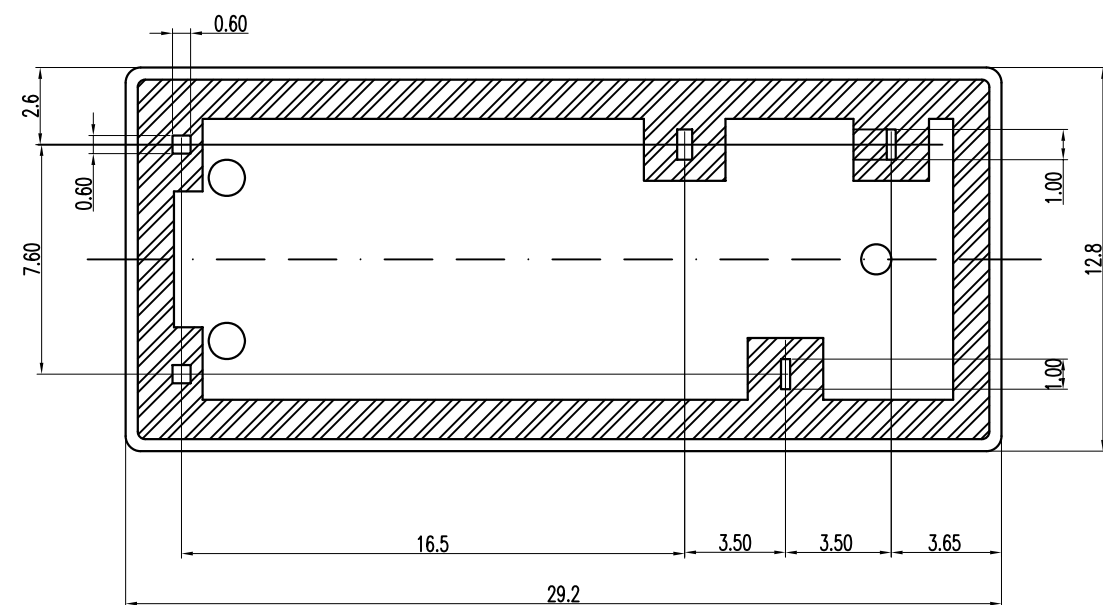


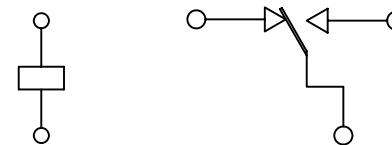
LOC	DIST	REVISIONS					
P	LTR	DESCRIPTION	ECO	DATE	DWN	APVD	
	A	Release		03APR06	Y.X	N.F	
	B	MARKING CHANGE	ECO-07-013869	25MAY07	XN.Z	W.Y	



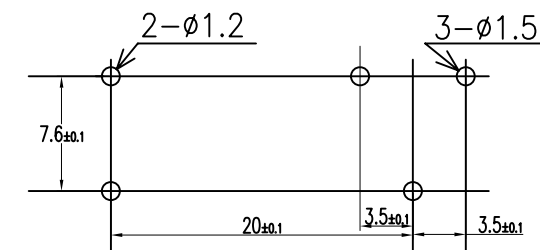
NOTE.
 1.PART "B" SHOULD FIT PART "A" AFTER CASE INSERTION PROCESS



CONNECTION DIAGRAM
 (BOTTOM VIEW)



DRILLING DIAGRAM(2/1)
 (BOTTOM VIEW)

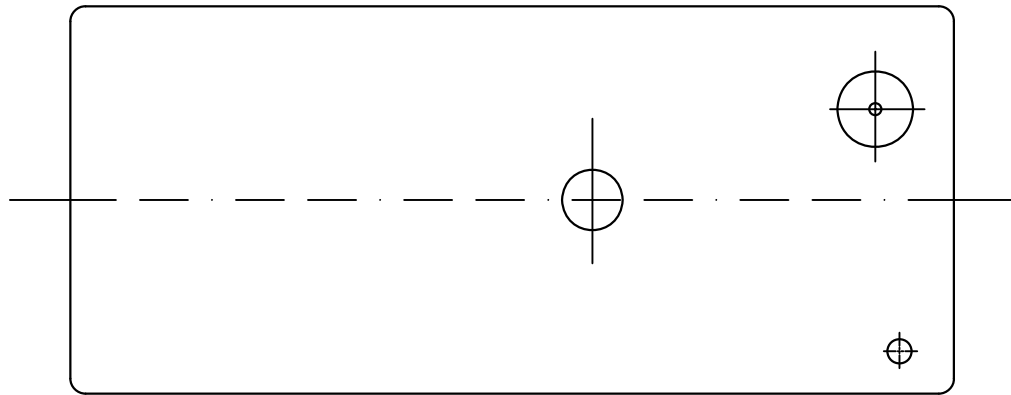


DIMENSION TOLERANCE	
MAX .1mm	±0.1
1mm~MAX.3mm	±0.2
MIN .3mm	±0.3

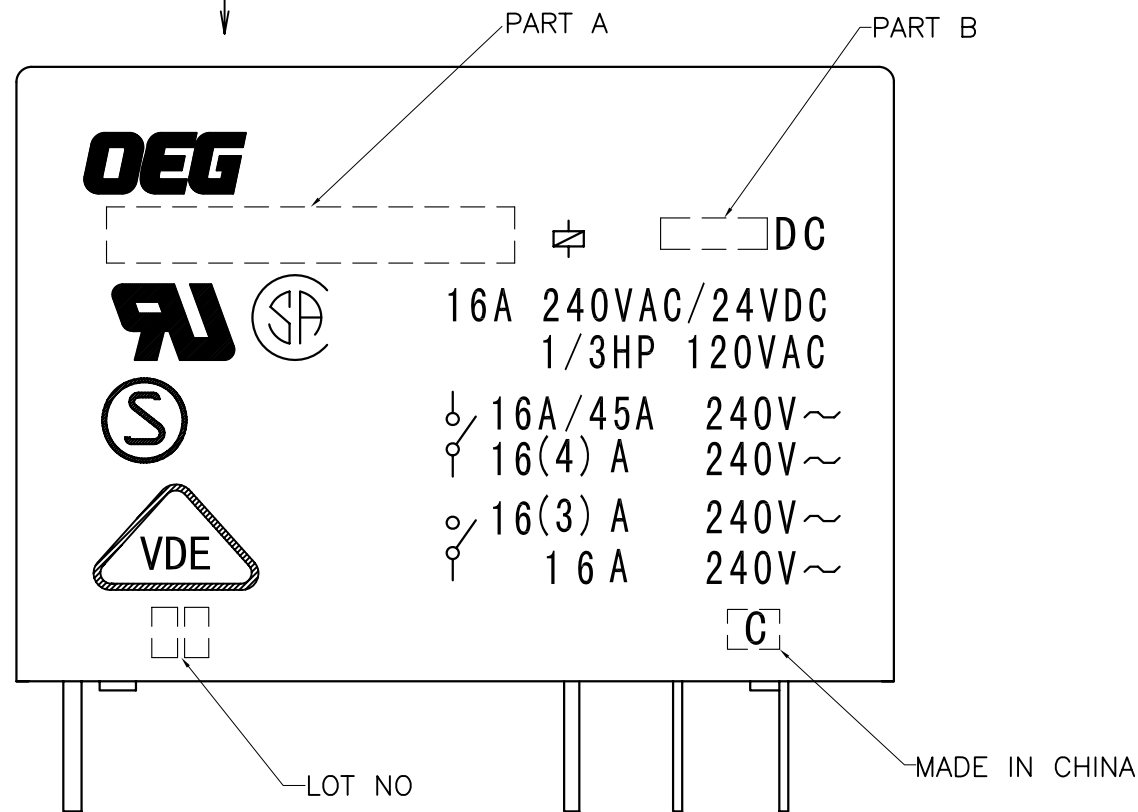
THIS DRAWING IS A CONTROLLED DOCUMENT.		DWN Y.Xiao	Tyco Electronics Corporation ShenZhen	
DIMENSIONS: mm		CHK N.Funayama	NAME OMIH(1T) SPEC 300 CUSTOMER DRAWING	
TOLERANCES UNLESS OTHERWISE SPECIFIED:		APVD CH.HSU	SIZE A3	
0 PLC ± -		PRODUCT SPEC -	CAGE CODE 00779	DRAWING NO C-8-1440000-3
1 PLC ± -		APPLICATION SPEC -	RESTRICTED TO -	
2 PLC ± -		WEIGHT -	SCALE 4:1	
3 PLC ± -		SHEET 1 of 3		
4 PLC ± -		REV B		
ANGLES ± -		CUSTOMER DRAWING		
FINISH -				

LOC	DIST	REVISIONS					
		P	LTR	DESCRIPTION	DATE	DWN	APVD
HB	-		-	-			

VIEW "C"



"C"

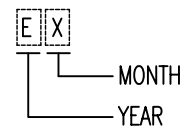


n	OMIH-SS-148D,300	9-1440000-1	OMIH-SS-148D	48V
m	OMIH-SS-124L,300	9-1440000-0	OMIH-SS-124L	24V
l	OMIH-SS-124D,300	8-1440000-8	OMIH-SS-124D	24V
k	OMIH-SS-112L,300	8-1440000-5	OMIH-SS-112L	12V
j	OMIH-SS-112D,300	8-1440000-3	OMIH-SS-112D	12V
i	OMIH-SS-109L,300	8-1440000-1	OMIH-SS-109L	9V
h	OMIH-SS-109D,300	1-1461022-1	OMIH-SS-109D	9V
g	OMIH-SS-106L,300	1-1461022-0	OMIH-SS-106L	6V
f	OMIH-SS-106D,300	1461022-8	OMIH-SS-106D	6V
e	OMIH-SS-105L,300	1461022-6	OMIH-SS-105L	5V
d	OMIH-SS-105D,300	1461022-4	OMIH-SS-105D	5V
c	OMIH-SH-124L,300	1461022-2	OMIH-SH-124L	24V
b	OMIH-SH-105L,300	1-1419153-9	OMIH-SH-105L	5V
a	OMIH-SH-105D,300	6-1440000-6	OMIH-SH-105D	5V
No.	EC TYPE NAE	AMP PART NAE	PART A	PART B

RELAY TYPE

NOTES

1. LOT NUMBERING SYSTEM AS FOLLOWS:



THIS DRAWING IS A CONTROLLED DOCUMENT.		DWN Y.Xiao	Tyco Electronics Corporation ShenZhen		
DIMENSIONS: mm		CHK N.Funayama	NAME OMIH(1T) SPEC 300 CUSTOMER DRAWING		
TOLERANCES UNLESS OTHERWISE SPECIFIED: 0 PLC ± - 1 PLC ± - 2 PLC ± - 3 PLC ± - 4 PLC ± - ANGLES ± -		APVD CH.HSU	PRODUCT SPEC		
MATERIAL		APPLICATION SPEC	SIZE A3	CAGE CODE 00779	DRAWING NO C=8-1440000-3
FINISH		WEIGHT	RESTRICTED TO		SCALE 4:1
		CUSTOMER DRAWING		SHEET 2 of 3	REV B

THIS DRAWING IS UNPUBLISHED.

RELEASED FOR PUBLICATION

-. - .

© COPYRIGHT - BY TYCO ELECTRONICS CORPORATION. ALL RIGHTS RESERVED.

LOC
HB

DIST
-

REVISIONS

P	LTR	DESCRIPTION	DATE	DWN	APVD
-	-		-	-	-

n	m	l	k	j	i	h	g	f	e	d	c	b	a	INCOMBUSTIBILITY	TREATMENT	MATERIAL	DESCRIPTION	ITEM
AR	AR	AR	AR	AR	AR	AR	AR	AR	AR	AR	AR	AR	AR			UV RESIN	UV SEAL	16
1	1	1	1	1	1	1	1	1	1	1	1	1	1			EPOXY RESIN	SEAL	15
1	1	1	1	1	1	1	1	1	1	1	1	1	1	UL94 V-0		PBT	CASE	14
AR	AR	AR	AR	AR	AR	AR	AR	AR	AR	AR	AR	AR	AR			UEW	MAGNETIC WIRE	13
1	1	1	1	1	1	1	1	1	1	1	1	1	1	CLASS E		PET	BASE	12
1	1	1	1	1	1	1	1	1	1	1	1	1	1	UL94 V-0		PBT	BOBBIN	11
2	2	2	2	2	2	2	2	2	2	2	2	2	2		SOLDER DIP	CP WIRE	COIL TERMINAL	10
1	1	1	1	1	1	1	1	1	1	1	1	1	1	UL94 V-0		PPS	CARD	9
1	1	1	1	1	1	1	1	1	1	1	1	1	1			Ag ALLOY	MOVABLE CONTACT	8
1	1	1	1	1	1	1	1	1	1	1	1	1	1			Ag ALLOY	STATIONARY CONTACT	7
1	1	1	1	1	1	1	1	1	1	1	1	1	1			Cu ALLOY	HINGE SPRING	6
1	1	1	1	1	1	1	1	1	1	1	1	1	1		SOLDER DIP	Cu ALLOY	STATIONARY TERMINAL	5
1	1	1	1	1	1	1	1	1	1	1	1	1	1		SOLDER DIP	Cu ALLOY	MOVABLE SPRING	4
1	1	1	1	1	1	1	1	1	1	1	1	1	1			STEEL	CORE	3
1	1	1	1	1	1	1	1	1	1	1	1	1	1			STEEL	ARMATURE	2
1	1	1	1	1	1	1	1	1	1	1	1	1	1			STEEL	YOKE	1

THIS DRAWING IS A CONTROLLED DOCUMENT.

DWN Y.Xiao

CHK N.Funayama

APVD CH.HSU

PRODUCT SPEC

APPLICATION SPEC

WEIGHT -

CUSTOMER DRAWING

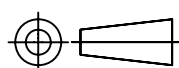
Tyco Electronics Corporation
ShenZhen

NAME
OMIH(1T) SPEC 300 CUSTOMER DRAWING

SIZE A3 CAGE CODE 00779 DRAWING NO C-8-1440000-3 RESTRICTED TO -

SCALE 4:1 SHEET 3 of 3 REV B

DIMENSIONS:
mm



TOLERANCES UNLESS OTHERWISE SPECIFIED:

0 PLC	± -
1 PLC	± -
2 PLC	± -
3 PLC	± -
4 PLC	± -
ANGLES	± -

FINISH -